



MICRO SWITCH

FREEPORT, ILLINOIS, U.S.A.
A DIVISION OF HONEYWELL

FED. MFG. CODE 91829

SWITCH - BASIC

CATALOG LISTING

BZ-2RD-A2

AHD1000

REPLACES

BZ-2RD-A2

PAGE 1 OF 1

RELEASE NO.

DRAWING NUMBER

7

ISSUE

REVISIONS

A	CO17410	6 CH	15 MAY 63
B	CO-73287-B	DHD	17 MAY 93
C	CO-77589	KDR	29 MAR 94
D	CO93346	DLT	8 SEP 98
E	0015139	TSG	23 AUG 05

CHECK

23 AUG 05

RJ

17 JUN 63

L.S.D

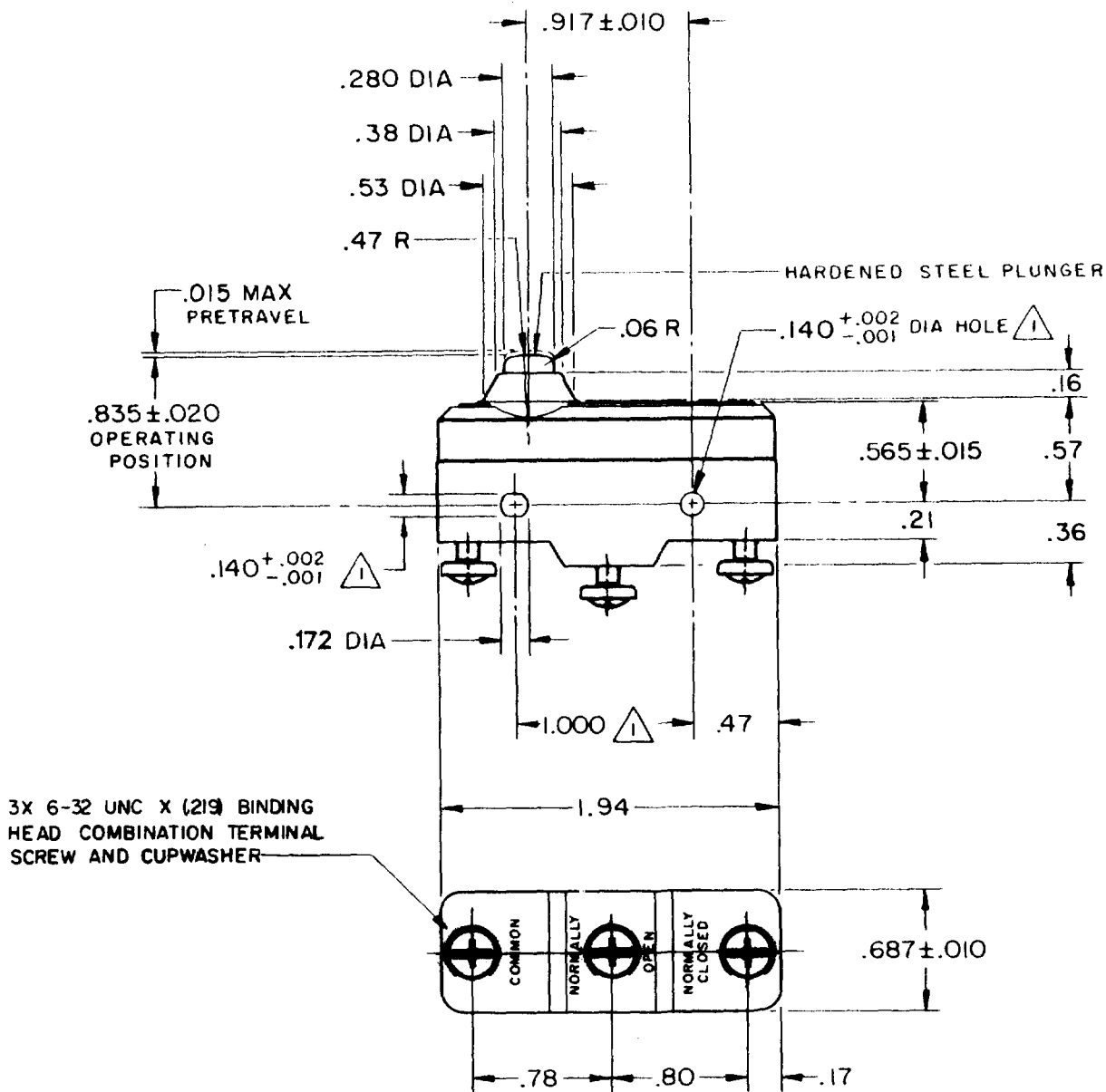
CHECK

15 MAY 63

FORMTEK

FO-50378

DRAWN



NOTE
 MOUNTING HOLES WILL ACCEPT PINS OR SCREWS OF .139 MAX DIA ON 1.000 ± .002 CENTERS

THIS DRAWING COVERS A PROPRIETARY ITEM AND IS THE PROPERTY OF MICRO SWITCH, A DIVISION OF MINNEAPOLIS-HONEYWELL REGULATOR CO. THIS DRAWING IS NOT TO BE COPIED OR USED WITHOUT THE APPROVAL OF MICRO SWITCH.

CHARACTERISTICS	ELECTRICAL DATA	SCALE FULL
OPERATING FORCE ----- 9-13 OZ	CONTACT ARRANGEMENT S P D T	DO NOT SCALE PRINT
RELEASE FORCE ----- 4 OZ MIN	L96	UNLESS OTHERWISE NOTED
DIFFERENTIAL TRAVEL ----- .0004-.0020	15A 125, 250 OR 480 VAC	DIMENSIONS ARE IN INCHES
OVERTRAVEL ----- .060 MIN	1/8HP 125 VAC, 1/4HP 250 VAC	TOLERANCES ARE:
	1/2A 125 VDC, 1/4A 250 VDC	ONE PLACE (.0) ± .030
	-L288- EN 05	TWO PLACE (.00) ± .015
	-L306- EC	THREE PLACE (.000) ± .005
	-L315- 16A 250V T85 5E4	ANGLES ±
		WEIGHT .064 LB